

USB 3.0 IP

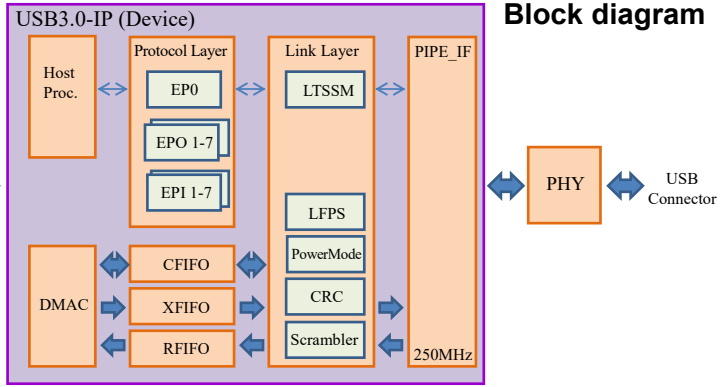
Universal Serial Bus 3.0
Host & Device Controller IP Core

Easy to apply to FAT32 Data Recorder System!!

USB3.0 IP core compliants with the USB 3.0 specification Revision1.0. This IP core provides link layer and protocol layer. Physical layer interfaces to PHY chip by TI. Mass storage class reference design for Intel® FPGA board is included in the IP core license. You can start your development from the design step by step and shorten development time and reduce the cost.



Evaluation on Cyclone® IV GX FPGA Dev. kit with AB08-USB3HSMC



Features



Line up both Host & Device



Ready to start Dev. on real board!!
Provide reference design for Intel® FPGA boards

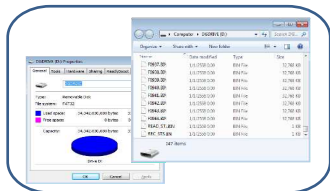
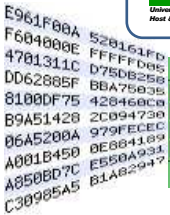
Host IP FAT32 File access demo
Reference Designs for practical applications

Device IP FAT32 Data recording demo

- Complaint with USB 3.0 5Gbps
- Support All transmission taps

Reference Designs are available for practical applications

FAT32 Data recording Design for USB3.0 Device IP core



FPGA records data and transfers it through USB3.0. At PC side, it is recognized as FAT32 files.



PC recognizes USB device as FAT32 external storage without any driver for Windows or Linux!!



Able to shorten development time for high-speed data recooding/analysis system!!

No risk to back to rebuild, able to develop for short term!

Product Line up

IP core	
USB3H-IP-A5	Host IP. 1 project Netlist License for Arria® V
USB3H-IP-C5	Host IP. 1 project Netlist License for Cyclone® V
USB3H-IP-S4	Host IP. 1 project Netlist License for Stratix® IV
USB3H-IP-C4	Host IP. 1 project Netlist License for Cyclone® IV
USB3H-IP-A2	Host IP. 1 project Netlist License for Arria® II
USB3D-IP-A5	Device IP. 1 project Netlist License for Arria® V
USB3D-IP-C5	Device IP. 1 project Netlist License for Cyclone® V
USB3D-IP-S4	Device IP. 1 project Netlist License for Stratix® IV
USB3D-IP-C4	Device IP. 1 project Netlist License for Cyclone® IV
USB3D-IP-A2	Device IP. 1 project Netlist License for Arria® II

Accessories for evaluation

AB08-USB3HSMC HSMC-USB3.0 adaptor board
USB3.0 TypeA to A cable (1m) is contained

Please ask us about Multi-License, Evaluation License and Maintenance support License. For more detail and technical information on our web site www.dgway.com/USB3-IP_A_E.html



YouTube Designgateway IP core 検索
IP core Evaluation Demo are available on youtube

