

AES256-GCM-1G IP Core

June 24, 2022

Product Specification

Rev1.00



Design Gateway Co.,Ltd

E-mail: ip-sales@design-gateway.com
URL: design-gateway.com

Features

- Support AES-GCM mode standard.
- Support 256-bit key size, 96-bit iv size.
- Support zero-length AAD or data input.
- Peak throughput rate at 9.14 Mbits/MHz.
- Speed up to 3.2 Gbps @350MHz.

Core Facts

Provided with Core	
Documentation	User Guide, Design Guide
Design File Formats	Encrypted HDL
Instantiation Templates	VHDL
Reference Designs & Application Notes	Vivado Project, See Reference design manual
Additional Items	Demo on ZCU106
Support	
Support Provided by Design Gateway Co., Ltd.	

Table 1: Example Implementation Statistics

Family	Example Device	Fmax (MHz)	CLB Regs	CLB LUTs	CLB ¹	IOB	BRAMTile ²	Design Tools
Zynq-Ultrascale+	xczu7ev-ffvc1156-2-e	350	1942	6788	1158	-	-	Vivado2021.1

Notes:

1) Actual logic resource dependent on percentage of unrelated logic

June 24, 2022

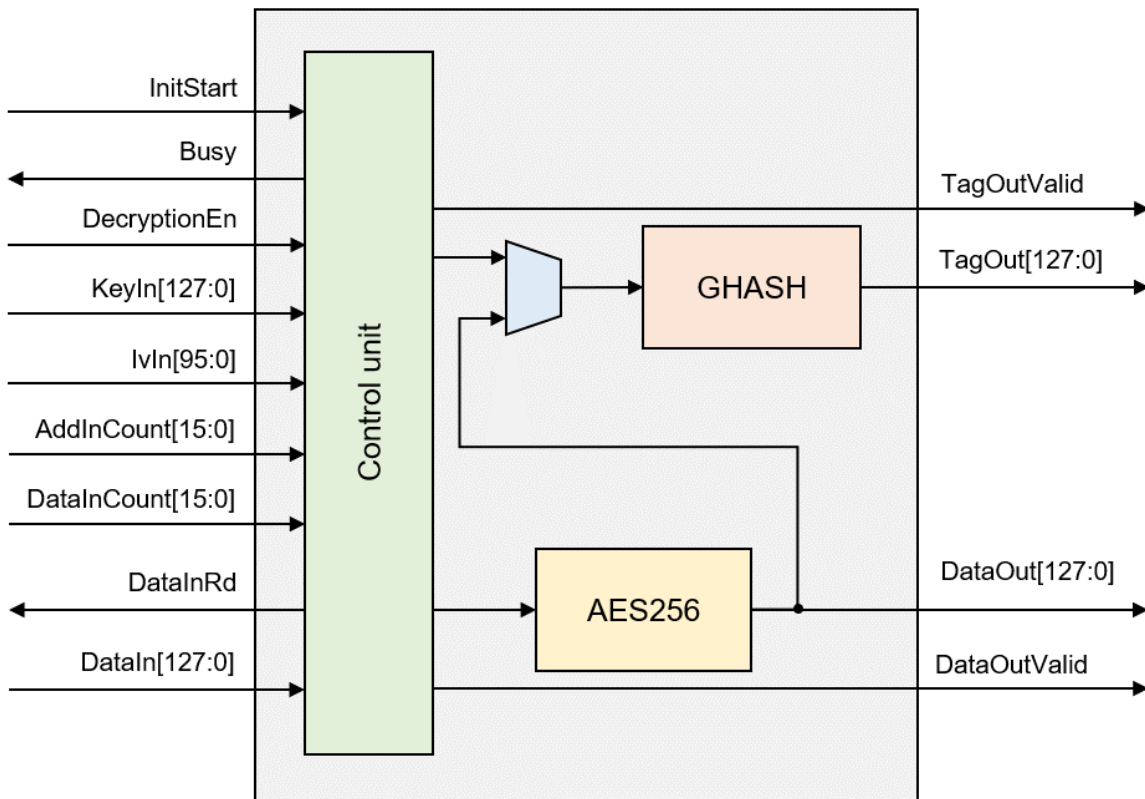


Figure 1: Block Diagram

General Description

AES256-GCM-1G IP Core (AES256GCM1GIP) implement the advanced encryption standard (AES) with 256-bit key in Galois/Counter Mode (GCM) which is widely used for Authenticated Encryption with Associated Data (AEAD) application.

There are 2 main operations in AES-GCM, AES encryption/decryption and tag calculation by GHASH algorithm. AES256GCM1GIP works with 256-bit AES-key and 96-bit Initialization Vector (IV). It can provide confidentiality and data authentication by using Additional Authenticated Data (AAD) and authentication tag. It is designed to support zero-length plaintext/ciphertext input which is the special case of GCM mode, called GMAC, and also support zero-length AAD.

Functional Description

AES256GCM1G interface signals can be divided into 2 parts, i.e. parameter setting signals and data control signals.

Table 1: Interface signals of AES256GCM1G

Signal name	Dir	Description
RstB	In	IP core system reset. Active low.
Clk	In	IP core system clock.
version[31:0]	Out	32-bit version number of AES256GCM1GIP.
Parameter setting signals		
InitStart	In	InitStart is a user signal to start AES256GCM1G operation.
Busy	Out	AES256GCM1G Busy status. Busy is active after user sets InitStart, until operation is done.
Finish	Out	Finish specifies finish status of AES256GCM1G. Assert to '1' at the last cycle of operation.
DecryptionEn	In	DecryptionEn is a user signal to specify mode of operation. DecryptionEn='0' for encryption, DecryptionEn='1' for decryption. DecryptionEn must be valid during operation.
KeyIn [255:0]	In	KeyIn is 256-bit key data for AES block cipher in CTR mode of operation. KeyIn must be valid during operation.
IvIn [95:0]	In	IvIn is 96-bit IV data for AES block cipher in CTR mode of operation. IvIn must be valid during operation.
AadInCount[15:0]	In	AadInCount is the number of AAD in byte. AadInCount must be valid during operation.
DataInCount[15:0]	In	DataInCount is the number of input data in byte. DataInCount must be valid during operation.
Data control signals		
DataInRd	Out	DataInRd is a control signal to read DataIn.
DataIn [127:0]	In	DataIn is 128-bit input data, both of AAD and data. DataIn must be valid when DataInRd is asserted to '1'.
DataOutValid	Out	DataOutValid specifies data valid for DataOut. Assert to '1' when cipher data is valid for encryption mode or plain data is valid for decryption mode.
DataOut [127:0]	Out	DataOut is 128-bit data output of AES256GCM1G. Valid when DataOutValid is asserted to '1'.
TagOutValid	Out	TagOutValid specifies tag valid. Assert to '1' when operation is done, after Busy signal is reset.
TagOut [127:0]	Out	TagOut is 128-bit tag output of AES256GCM1G. Valid when TagOutValid is asserted to '1'.

• **Parameter setting**

AES256GCM1G is designed to start operation when InitStart is asserted to '1'. DecryptionEn, KeyIn, IvIn, AadInCount and DataInCount must be valid when InitStart='1' and be hold during operation. User can set DecryptionEn to '0' for operating in encryption mode as shown in Figure 2 or set DecryptionEn to '1' for operating in decryption mode as shown in Figure 3.

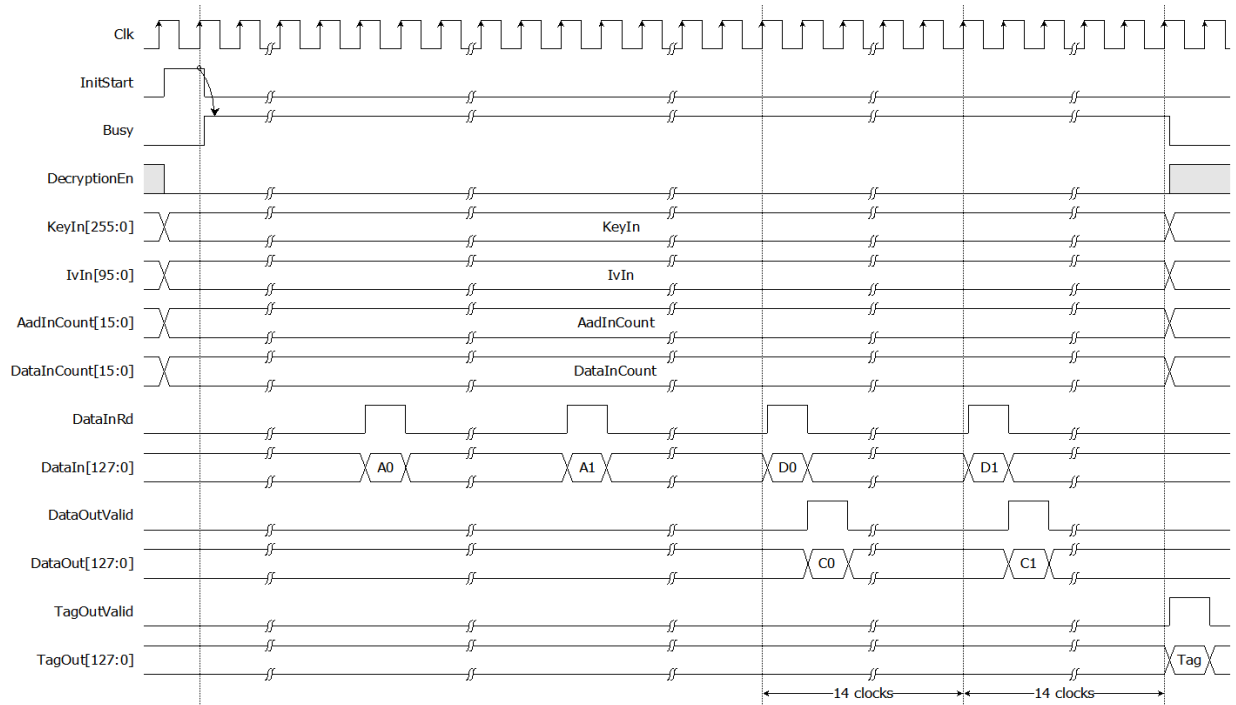


Figure 2: AES256GCM1G timing diagram in encryption mode

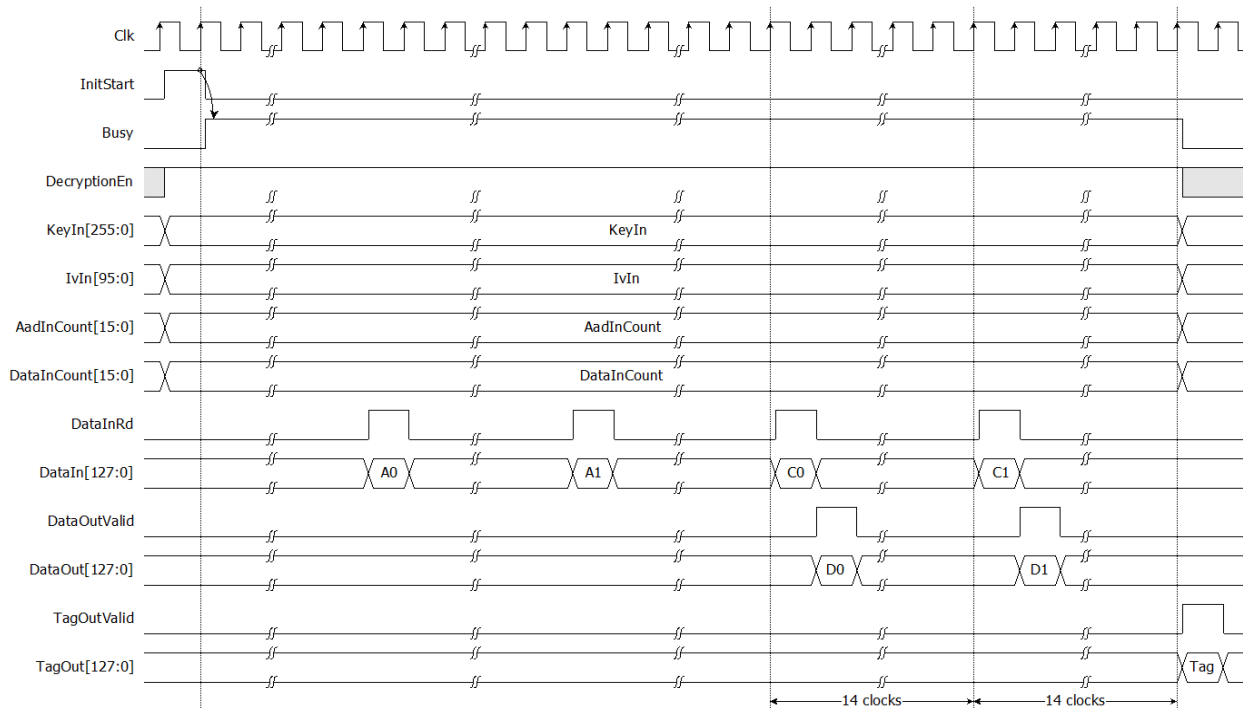


Figure 3: AES256GCM1G timing diagram in decryption mode

For the best performance, user can use Finish as a trigger signal for setting new parameters and sending new start command in next cycle as shown in Figure 4.

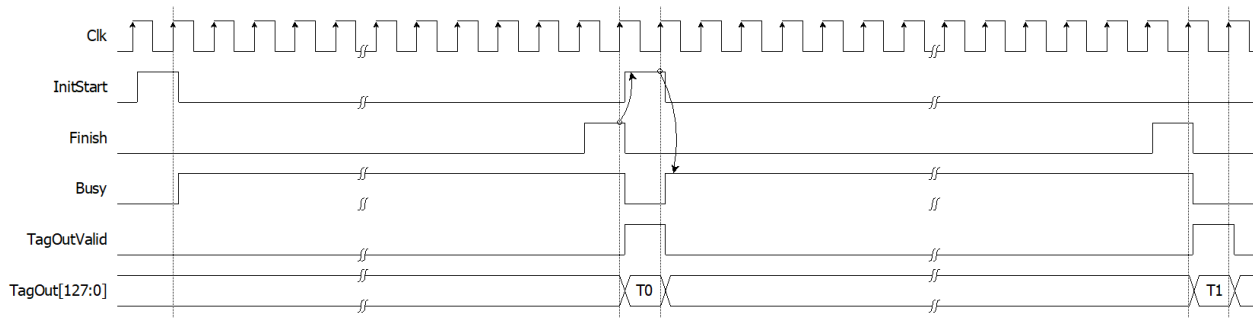


Figure 4: Continuous and pipelining operation

- **Data control**

After starting operation, DataIn[127:0] must be set and valid when DataInRd is asserted to '1'. User need to prepare 128-bit DataIn. In case of non-zero length AAD, if AadInCount is not aligned to 128 bits, the last 128-bit data of AAD must be right-padded with zeros. If DataInCount is non-zero, the next 128-bit data will be plain/cipher data. AES256GCM1G is designed to read DataIn every 14 clock cycles after read the first data. User may use DataInRd as a condition to prepare next 128-bit data.

As shown in Figure 2, after the first DataIn is read, the DataOut is valid in the next clock. In case of zero-length data, DataOutValid is not active during operation. Authentication tag is valid after finished operation. As shown in Figure 3, TagOutValid is active only one clock when Busy is reset to be '0'.

Verification Methods

AES256-GCM-1G IP Core functionality were verified on real board design by using ZCU106 Evaluation Board.

Recommended Design Experience

The user must be familiar with HDL design methodology to integrate this IP into system.

Ordering Information

This product is available directly from Design Gateway Co., Ltd. Please contact Design Gateway Co., Ltd. For pricing and additional information about this product using the contact information on the front page of this datasheet.

Revision History

Revision	Date	Description
1.00	24/Jun/2022	New release